



GENERAL FEATURES

- Rack size **50x50 cm**
- Gross weight: 63 Kg
- Washing cycles / racks/hour:
90°-120°-180°-9° / 40-30-20-7
- Top and bottom wash/rinse arms
- Wash pump: 550 W
- Boiler capacity: 5 liters
- Tank capacity: 20 liters
- Boiler heating element: 4,5 kW
- Tank heating element: 2,4 kW
- Water quantity per cycle: 2 liters
- Electronic controls with LCD display
- Useful washing height: 340 mm
- Magnetic door micro switch
- Automatic water filling
- Double electric detergent and rinse dispenser
- Hot rinse
- Thermostop function
- Anti back-flow valve
- Green function for energy saving
- Automatic end-of-day self-cleaning water tank
- Washing pump with Soft-Start

FILTRATION

- Plastic wash pump filter, easily removable

BODY

- AISI 304 stainless steel Body
- Partial double skinned body
- Preformed rack guides
- Preformed wash tank
- Double skinned door
- Door handle in s/s
- Wash/rinse arms in s/s, easily removable
- Boiler in s/s AISI 304
- PVC protection rear the bottom front panel

EQUIPMENT

- 1 glass rack 50x50 cm
- 1 plates rack 50x50 cm (12/18 plates)
- 1 cutlery small basket
- 1 inlet hose (length 2 mt)
- 1 drain hose (length 2,5 mt)

OPTIONAL

- Drain pump
- Cold rinse
- Extra power boiler 6 kW
- 60 Hz version
- Hot water filling
- HD version (P. Tot. 7,45 kW, only 380-415V3N~)
- Kit surface filters
- Kit booster pump
- Kit 4 high feet

ACCESSORIES FOR THE WATER TREATMENT

- Internal water softener ("S" version)

ACCESSORIES

- Special racks
- Supporting s/s stand h. 550 mm for basket

INSTALLATION

- Use the screws of the feet and a spirit level to ensure that the machine is levelled

MAIN POWER SUPPLY

- The voltage of main power supply must be compatible with the rated voltage
- The machine must be connected to a suitable earth (ground) system
- Connect the machine power socket to the multi-pole wall switch provided

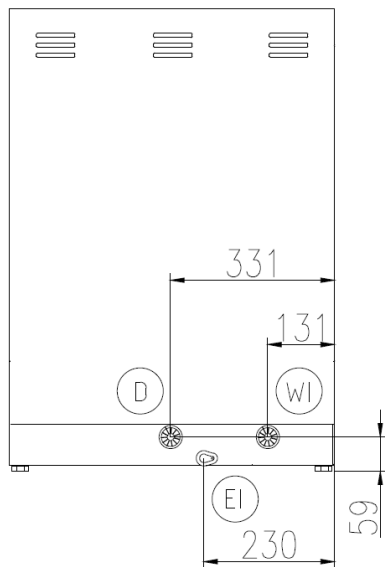
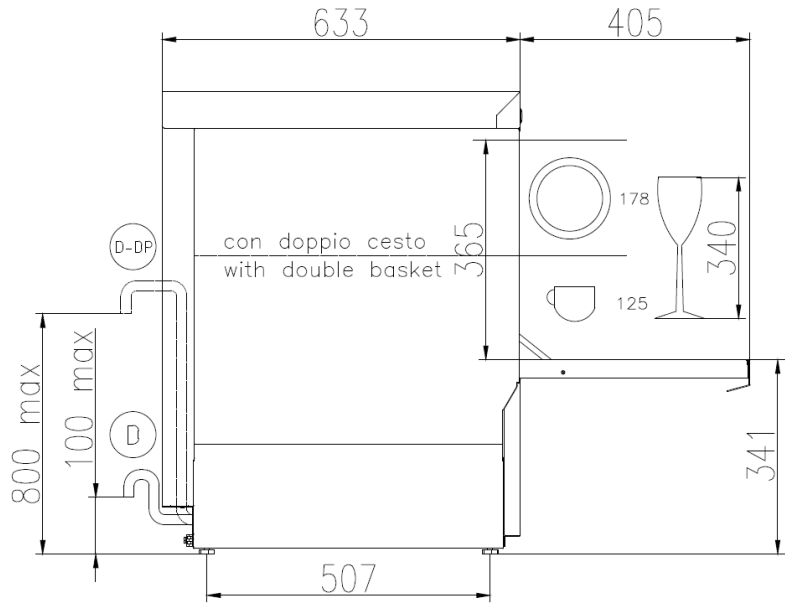
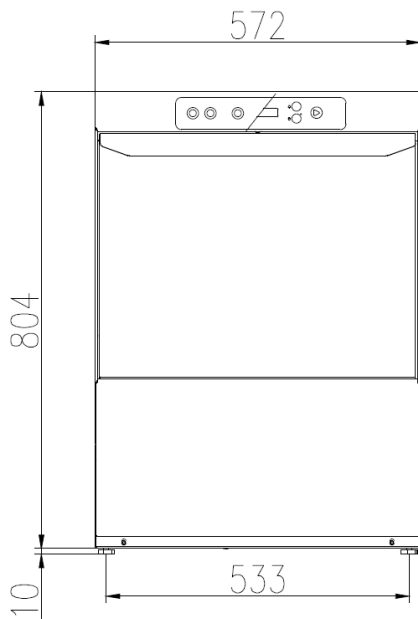
WATER SUPPLY CONNECTION

- A water softener must be installed if the water is hard
- The water pressure must be between 0.2MPa (2 bar), and, 0.5MPa (5 bar)
- The temperature of the water-supply must be between 10°C to 50°C

TECHNICAL SPECIFICATIONS

- Voltage: **380-415V3N/220-240V3/220-240 ~ 50 Hz**
- Total power: **5,05 kW**
- Amperage: **7 A/ 14 A/ 21 A**
- Power cord supply size :**5x2,5/ 3x4 mmq**
-

AF 50.35^E



- (EI) CAVO DI ALIMENTAZIONE
POWER CORD SUPPLY
CABLE D'ALIMENTATION
CABLE DE ALIMENTACION
- (WI) CANNA DI CARICO G 3/4 L=2000 mm
G 3/4 INLET HOSE L=2000 mm
TUYAU D'ALIMENTATION G 3/4" L=2000 mm
TUBO DE ALIMENTACION G 3/4" L=2000 mm
- (D) TUBO DI SCARICO ø 29 mm L=2500 mm
DRAIN HOSE ø 29 mm L=2500 mm
TUYAU DE VIDANCE ø 29 mm L=2500 mm
TUBO DE DESAGUE ø 29 mm L=2500 mm
- (D-DP) TUBO DI SCARICO ø 29 mm L=2500 mm (CON POMPA SCARICO)
DRAIN HOSE ø 29 mm L=2500 mm (WITH DRAIN PUMP)
TUYAU DE VIDANCE ø 29 mm L=2500 mm (AVEC POMPE DE VIDANCE)
TUBO DE DESAGUE ø 29 mm L=2500 mm (CON POMPA DE DESAGUE)

	Min 10°C-MAX 50°C Min 10°C-MAX 25°C with ENERGY RECOVERY
	200÷500kPa(2÷5 Bar) 100÷500kPa(1÷5 Bar) with ATMOSPHERIC BOILER
	HARDNESS 5÷20*f-2.8÷11*d