



## GENERAL FEATURES

- Rack size **40x40 cm**
- Gross weight: 40,5 Kg
- Washing cycle/racks/hour: 120"/30
- Bottom wash/rinse arms
- Top rinse arm
- Washing pump: 190 W
- Boiler capacity: 3 liters
- Tank capacity: 12 liters
- Boiler heating element: 2,7 kW
- Tank heating element: 2,4 kW
- Water quantity per cycle: 2 litri
- Electromechanical controls
- Useful washing height: 300 mm
- Magnetic door microswitch
- Automatic water filling
- Built-in rinse-aid dispenser (adjustable)
- Hot rinse
- Thermostop function
- Anti back-flow valve

## FILTRATION

- Plastic wash pump filter, easily removable

## BODY

- AISI 304 stainless steel Body
- Partial double skinned body
- Preformed rack guides
- Preformed wash tank
- Double skinned door
- Door handle in s/s
- Wash/rinse arms in s/s, easily removable
- Boiler in s/s AISI 304
- PVC protection rear the bottom front panel

## EQUIPMENT AS GLASSWASHER

- 2 glass racks 40x40 cm
- 1 cutlery small basket
- 1 insert for saucers
- 1 inlet hose (length 2 m)
- 1 drain hose (length 2,5 m)

## OPTIONAL

- Electric detergent dispenser
- Drain pump
- Hot water filling
- 60 Hz version
- Kit booster pump
- Kit surface filters
- Kit 4 high feet

## ACCESSORIES FOR THE WATER TREATMENT

- Internal water softener ("S" version)

## ACCESSORIES

- Special racks (Round, diam. cm.40)
- S/S Supporting stand h mm. 550 for basket

## INSTALLATION

- Use the screws of the feet and a spirit level to ensure that the machine is levelled

## MAIN POWER SUPPLY

- The voltage of main power supply must be compatible with the rated voltage
- The machine must be connected to a suitable earth (ground) system
- Connect the machine power socket to the multi-pole wall switch provided

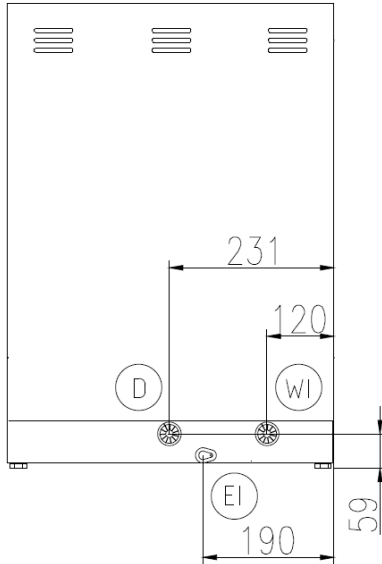
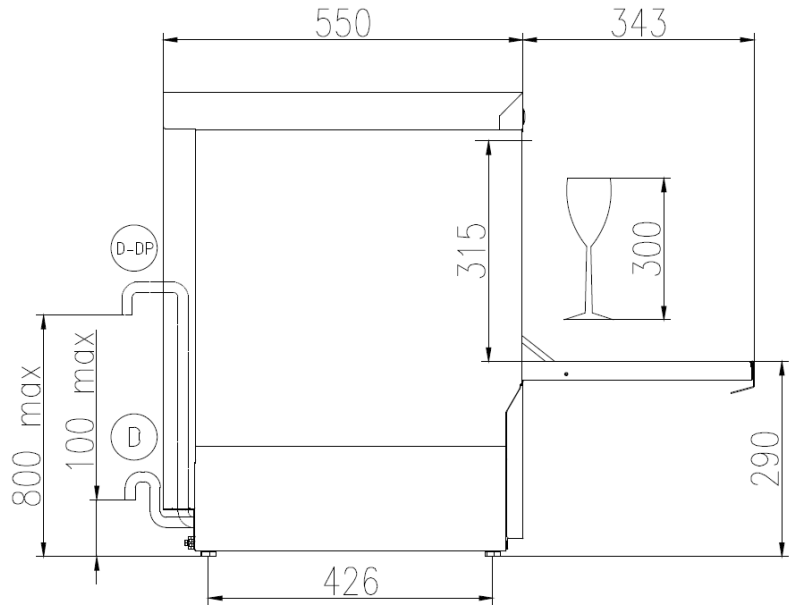
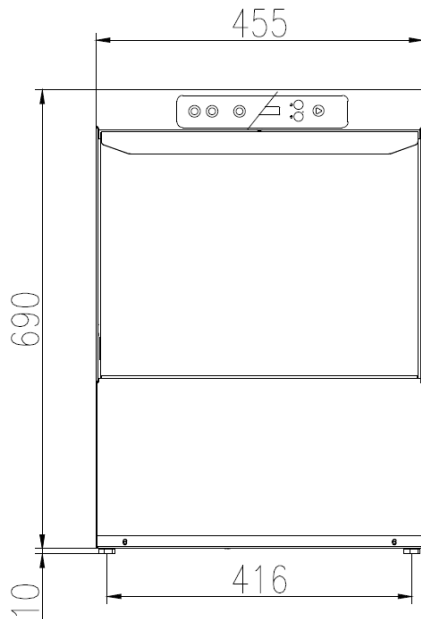
## WATER SUPPLY CONNECTION

- A water softener must be installed if the water is hard
- The water pressure must be between 0.2MPa (2 bar), and, 0.5MPa (5 bar)
- The temperature of the water-supply must be between 10°C to 50°C

## TECHNICAL SPECIFICATIONS

- Voltage: **220-240 V ~ 50 Hz**
- Total power: **2,89 kW**
- Amperage: **13A**
- Power cord supply size.: **3 x 1,5 mmq**

## AF 40.30



- (EI)** CAVO DI ALIMENTAZIONE  
POWER CORD SUPPLY  
CABLE D'ALIMENTATION  
CABLE DE ALIMENTACION
- (WI)** CANNA DI CARICO G 3/4 L=2000 mm  
G 3/4 INLET HOSE L=2000 mm  
TUYAU D'ALIMENTATION G 3/4" L=2000 mm  
TUBO DE ALIMENTACION G 3/4" L=2000 mm
- (D)** TUBO DI SCARICO Ø 29 mm L=2500 mm  
DRAIN HOSE Ø 29 mm L=2500 mm  
TUYAU DE VIDANCE Ø 29 mm L=2500 mm  
TUBO DE DESAGUE Ø 29 mm L=2500 mm
- (D-DP)** TUBO DI SCARICO Ø 29 mm L=2500 mm (CON POMPA SCARICO)  
DRAIN HOSE Ø 29 mm L=2500 mm (WITH DRAIN PUMP)  
TUYAU DE VIDANCE Ø 29 mm L=2500 mm (AVEC POMPE DE VIDANCE)  
TUBO DE DESAGUE Ø 29 mm L=2500 mm (CON POMPA DE DESAGUE)

	Min 10°C-MAX 50°C
	Min 10°C-MAX 25°C with ENERGY RECOVERY
	200÷500kPa(2÷5 Bar)
	100÷500kPa(1÷5 Bar) with ATMOSPHERIC BOILER
	HARDNESS 5÷20°f-2.8÷11°d